

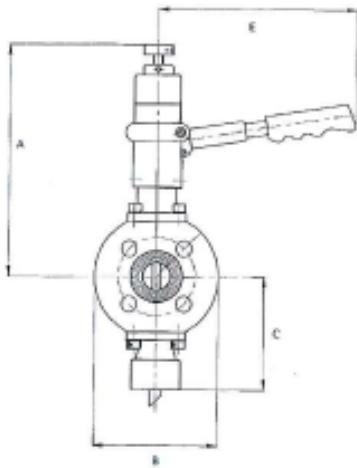
Lever Operated Wafer Sampling valves



MODEL 10S25AH

Mounting	1" NB ANSI #150
Max Operating Temp	200° C
Max Operating Pressure	10 bar
Seals	PTFE
Approx. Weight	7.5 kg

Dimensions and Specifications



Valve Specification

PART	Specification
Body	316L st.st
Stem	316L st.st
Top Housing	316L st.st
Bottle Connector	316L st.st
Seal Holder + tube	316L st.st
Chevron Seal	Virgin PTFE
Lower Seal	Virgin PTFE
Stem O Ring	Viton



Valve Dimensions

Letter	Valve Dimension	mm
A	Centre of valve to top of valve	240
B	Valve diameter	127
C	Centre of valve to bottom of valve	114
D	Between Faces	53.2
E	Centre of valve to End of handle	203
	Flange 1" ANSI # 150	

FOSBA GmbH

Itzelstein 15
59929 Brilon -Germany

Tel.: +49 2961 9119233

Fax: +49 2961 9119250

e-mail: info@fosba.de

web: www.fosba.de

GMP Sampling is a trademark of FOSBA GmbH