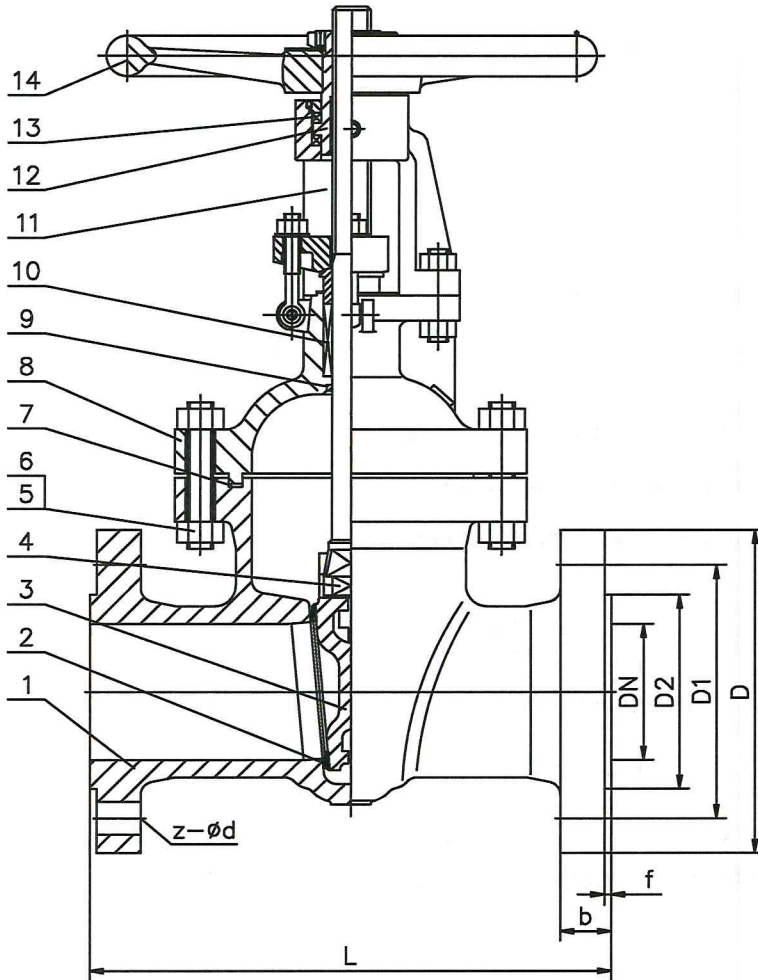


NPS	DN	Typical Dimensions			PN40 Flange Dimensions					
		L	-	-	D	D1	D2	b	f	Z- $\phi$ d
-	50	250	-	-	165	125	102	20	3	4-18
-	80	310	-	-	200	160	138	24	3	8-18
-	100	350	-	-	235	190	162	24	3	8-22
-	150	450	-	-	300	250	218	28	3	8-26



Performance Specification		
PN		40
Test Pressure	Shell test	6.0
	Seal test	4.4
	Back seal Test	4.4
	Air Seal Test	0.4~0.7
		MPa

Notice:

- 1.Design by EN 1984
- 2.Face to Face by EN 558-1
- 3.RF Flange by EN 1092-1
- 4.Valves tested by EN 12266-1
- 5.On DN150 and Large Valves the Stem Nut with Ball Bearing
- 6.On DN150 and Large Valves the Bonnet with Yoke

14	Handwheel	CAST IRON	
13	Axletree	E51100	
12	Stem Nut	Al-Bronze	
11	Yoke	ASTM A216-WCB	
10	Packing	FLEXIBLE GRAPHITE	
9	Back Seat	deposited 13Cr	
8	Bonnet	ASTM A216-WCB	
7	Gasket	FLEXIBLE GRAPHITE/304	
6	Bonnet Bolt Nut	ASTM A194 Gr.2H	
5	Bonnet Bolt	ASTM A193 Gr.B7	
4	Stem	ASTM A182-F6a	
3	Wedge Disc	ASTM A216-WCB deposited 13Cr	
2	Seat	deposited 13Cr	
1	Body	ASTM A216-WCB	
NO	PART NAME	MATERIAL	REMARKS

GATE VALVE				FIG NO	
DESIGN BY	ZJ	20170216	CHINA·BAOYI (VALVE) GROUP		
CHECKED BY			DRAWING NO		
STANDARD BY			REV		
APPROVED BY					
THE USER CONFIRM			DATE		