

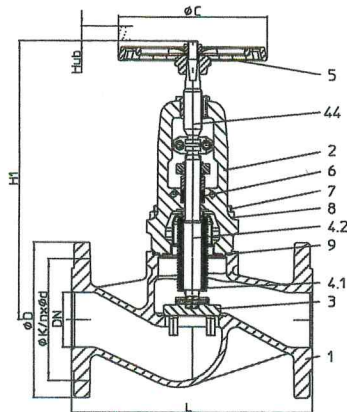
Stop valve - straight through with flanges and bellows seal - Chemical version (Stainless steel)

 Fig. 146....154 DN15-150
 Two-piece stem

Figure-No.	Nominal pressure	Material	Nominal diameter
54.146....153	PN25	1.4408	DN200-250
55.146....153	PN40	1.4408	DN15-250
54.146....154	PN25	1.4408	DN200-250
55.146....154	PN40	1.4408	DN15-250

Test:	• EN ISO 15848-1 / TA - Luft TÜV-Test-No. 973-10675245-10 B
-------	---

Plug design:	V-port plug with marginal seat standard
--------------	---

At high differential pressures a balancing plug is necessary! (refer to page 21)

Parts				Fig. 54. / 55. 146....154 Two-piece stem	
Pos.	Sp.p.	Description			
1		Body	GX5CrNiMo19-11-2, 1.4408		
2		Bonnet	≤DN150: GX5CrNiMo19-11-2, 1.4408 / ≥DN200: X6CrNiMoTi17-12-2, 1.4571		
+ 4.1	x (Bonnet, cpl.)	Bellows seal	X6CrNiMoTi17 12 2, 1.4571		
+ 4.2		Stem	X6CrNiMoTi17 12 2, 1.4571		
+ 6		Packing ring	Pure graphite		
+ 44		Stem, top	--	X39CrMo17-1+QT, 1.4122+QT	
3	x	Plug	X6CrNiMoTi17 12 2, 1.4571 / Stellite 6		
5	x	Handwheel	≤DN125: St (cataphoretic coating) / ≥DN150: EN-GJS-400-15, EN-JS1030 (epoxy-coating)	EN-GJS-400-15, EN-JS1030 (epoxy-coating)	
7		Stud	A4-70		
8		Hexagon nut	A4		
9	x	Gasket	Pure graphite (with CrNi-grooved)		
L Spare parts					

DN	15	20	25	32	40	50	65	80	100	125	150	200	250
----	----	----	----	----	----	----	----	----	-----	-----	-----	-----	-----

Face-to-face dimension FTF series 1 acc. to DIN EN 558													Standard-flange dimensions refer to page 25	
L	(mm)	130	150	160	180	200	230	290	310	350	400	480	600	730
Dimensions														
H1 (One-piece stem)	(mm)	225	225	230	230	270	275	300	380	460	500	570	780	935
H1 (Two-piece stem)	(mm)	240	240	240	240	290	295	335	395	505	550	605	805	935
ØC (One-piece stem)	(mm)	125	125	125	125	150	150	175	225	300	300	400	520	520
ØC (Two-piece stem)	(mm)	140	140	140	140	160	160	180	225	300	300	400	520	520
Travel	(mm)	6	6	8	8	13	13	16	20	25	32	40	50	70
Kvs-value	(m³/h)	4,4	6	10	13,3	25,5	38,5	64	90	135	215	325	580	885
Zeta-value	--	4,2	7,1	6,2	9,5	6,3	6,7	7	8,1	8,8	8,4	7,7	7,6	8

Zeta-value ... range of tolerance for Kvs-values acc. to VDI/VDE 2173

Weights														
54.146	(kg)	--	--	--	--	--	--	--	--	--	--	--	213	300
55.146	(kg)	4,9	5,4	7,1	8,1	11,3	14,1	21,8	30	45,5	63,5	78	245	347

Information / restriction of technical rules need to be observed!
 Operating and installation instructions can be downloaded at www.ari-armaturen.com.
 A production allowance acc. to TRB 801 No. 45 exists
 The engineer, designing a system or a plant, is responsible for the selection of the correct valve.
 Resistance and fitness must be verified (contact manufacturer for information, refer to Product overview and Resistance list).