

Material Specification

NO	Part Name	Material
1	Body	WC6
2	Seat	F11+STL
3	Wedge	WC6+STL
4	Stem	Cr13
5	Gasket	304
6	Back seat	Cr13
7	Bonnet	WC6
8	Packing	Graphite
9	Pin	304
10	Gland	Cr13
11	Gland Flange	WC6
12	Oil Cup	Casting Steel
13	Handwheel	QT400-18
14	Lock Nut	304
15	Bearing Gland	304
16	Yoke Nut	ASTM A439 D-2
17	Nut	4
18	Gland Eyeball	B16
19	Nut	4
20	Bolt	B16

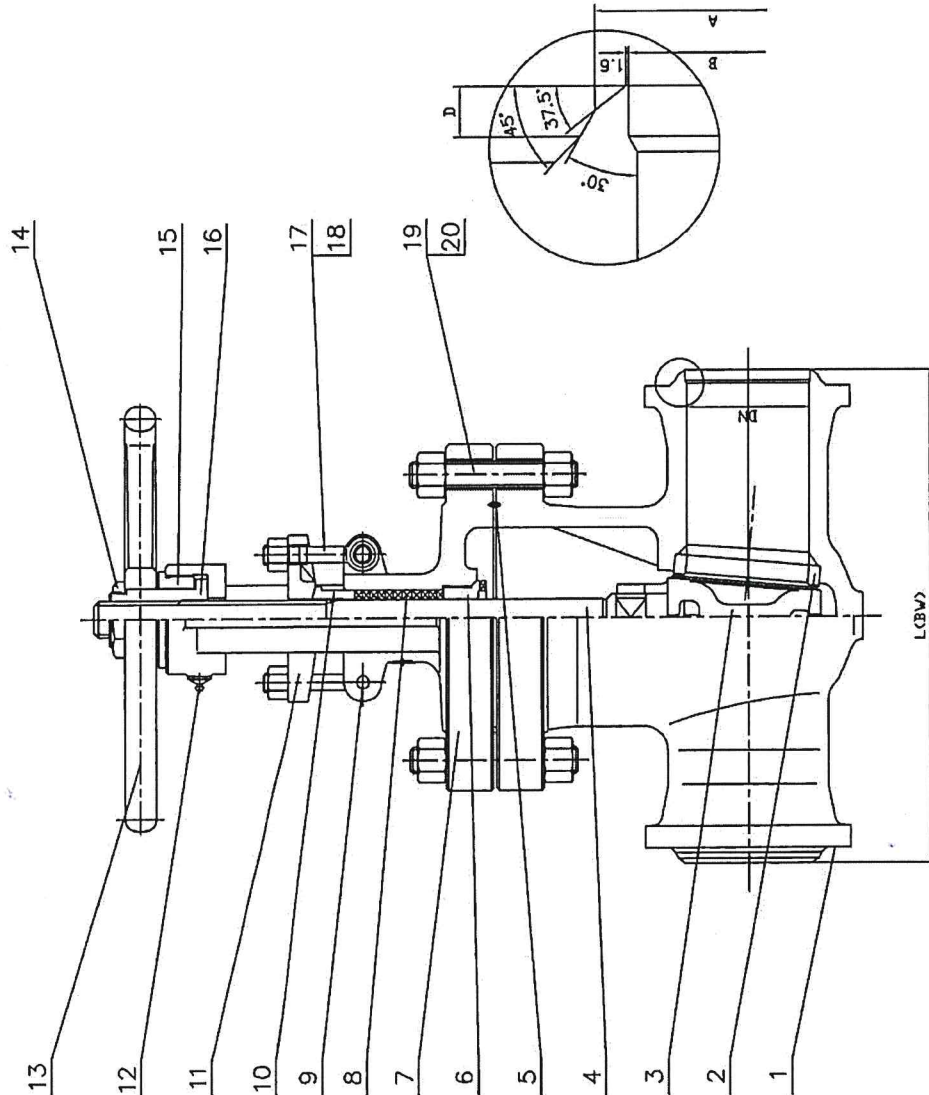
SIZE	L(BW)	DN	A	B	D
3"-900	381	73	91	78	8.2

SPECIFICATION:

DESIGN: API 600
 BUTTWELDING ENDS: ANSI B16.25
 FACE TO FACE : B16.10
 TEST: API598

900LB Gate Valve	
CLIENT	DWG REV .NO 00
P.O.NO	CLASS 900LB
APPROVED BY	HYDROSTATIC SHELL 3350psi/23.1Mpa
REVIEWED BY	TEST (PSI) SEAT 2440psi/16.8Mpa
DRAWN BY	AIR TEST 60-100psi/0.5-0.7Mpa
DRAWING NO	004
DATE	

501402



DRW ORDER EB1610017 AB1610008/HO AB1610085/KI