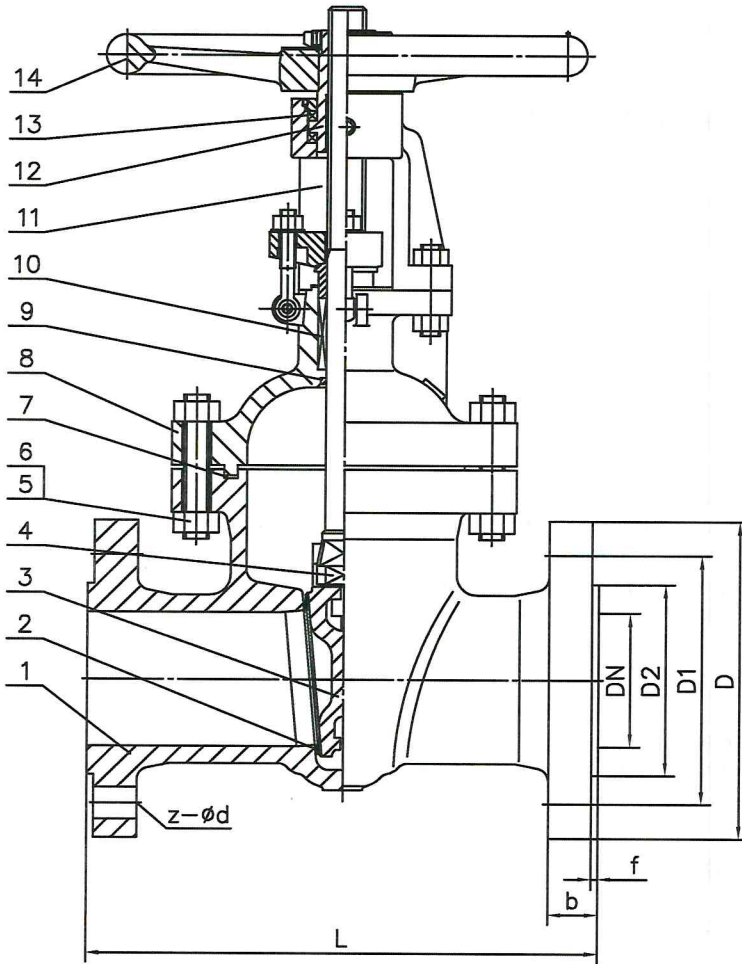


NPS	DN	Typical Dimensions			PN63 Flange Dimensions					
		L	-	-	D	D1	D2	b	f	Z- $\phi$ d
-	80	310	-	-	215	170	138	28	3	8-22
-	100	350	-	-	250	200	162	30	3	8-26
-	150	450	-	-	345	280	218	36	3	8-33

Performance Specification			
PN		63	
Test Pressure	Shell test	9.5	MPa
	Seal test	7.0	
	Back seal Test	7.0	
	Air Seal Test	0.4~0.7	



Notice:

- 1.Design by EN 1984
- 2.Face to Face by EN 558-1
- 3.RF Flange by EN 1092-1
- 4.Valves tested by EN 12266-1
- 5.On DN150 and Large Valves the Stem Nut with Ball Bearing
- 6.On DN150 and Large Valves the Bonnet with Yoke

14	Handwheel	CAST IRON	
13	Axletree	E51100	
12	Stem Nut	Al-Bronze	
11	Yoke	ASTM A216-WCB	
10	Packing	FLEXIBLE GRAPHITE	
9	Back Seat	deposited 13Cr	
8	Bonnet	ASTM A216-WCB	
7	Gasket	FLEXIBLE GRAPHITE/304	
6	Bonnet Bolt Nut	ASTM A194 Gr.2H	
5	Bonnet Bolt	ASTM A193 Gr.B7	
4	Stem	ASTM A182-F6a	
3	Wedge Disc	ASTM A216-WCB deposited 13Cr	
2	Seat	deposited stellite	
1	Body	ASTM A216-WCB	
NO	PART NAME	MATERIAL	REMARKS

GATE VALVE

FIG NO

DESIGN BY	Huanggd	20160409	CHINA · BAOYI (VALVE) GROUP	
CHECKED BY	Huangxy	20160409	DRAWING NO	REV
STANDARD BY				
APPROVED BY				
THE USER CONFIRM		DATE		