

Material Specification

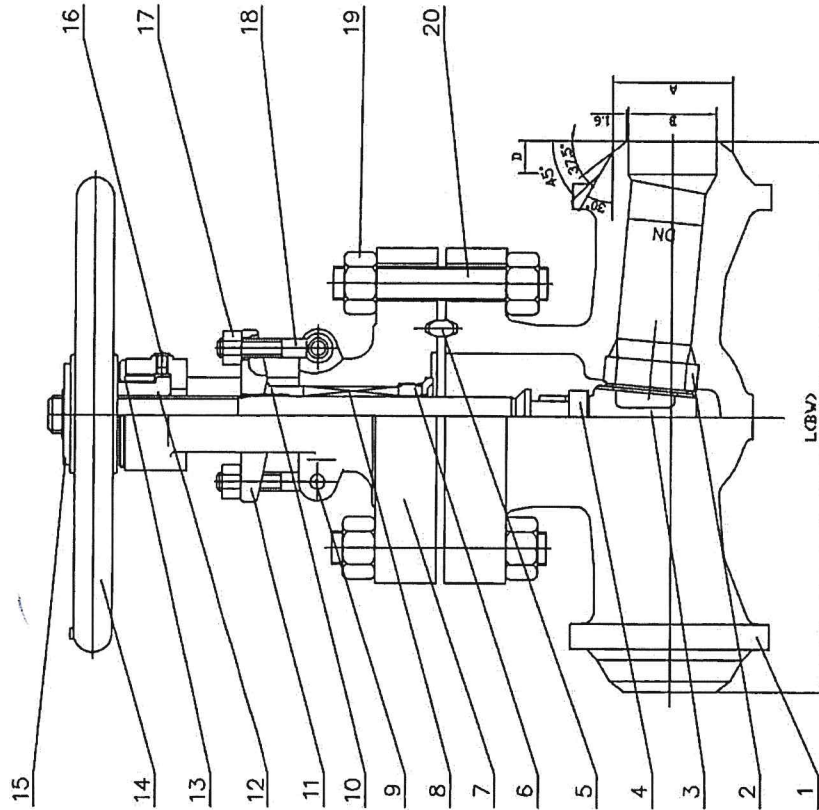
NO	Part Name	Material
1	Body	WC6
2	Seat	F11+STL
3	Wedge	WC6+STL
4	Stem	Cr13
5	Gasket Ring	304
6	Back seat	Cr13
7	Yoke	WC6
8	Packing	Graphite
9	Pin	304
10	Gland	Cr13
11	Gland Flange	WC6
12	Yoke Nut	ASTM A439 D-2
13	Bearing Gland	304
14	Handwheel	QT400-18
15	Lock Nut	304
16	Oil Cup	304
17	Nut	4
18	Gland Eyebolt	B16
19	Nut	4
20	Bolt	B16

SIZE	L(BW)	DN	A	B	D
2"-900	368	49	62	52.5	5.9

Pos.
5

SPECIFICATION:

DESIGN: API 600
 BUTTWELDING ENDS: ANSI B16.25
 FACE TO FACE : B16.10
 TEST: API598



900LB Gate Valve	
CLIENT	DWG REV. NO 00
P.O.NO	CLASS 900LB
APPROVED BY	HYDROSTATIC SHELL 3350psi/23.1Mpa
REVIEWED BY	TEST (PS) SEAT 2440psi/16.8Mpa
DRAWN BY	AIR TEST 60-100psi/0.5-0.7Mpa
DRAWING NO 002	DATE

501402 / 201405 / 20

DRW ORDER EB1610017 AB1610008/HO AB1610085/KI